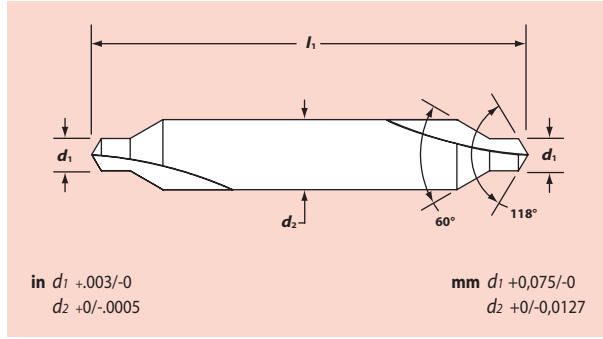


COMBINED DRILL & COUNTERSINKS

For centering holes in most materials

CD10

Drill & countersink



- 2-Flutes, double end
- Used to make center holes with a 60° countersink

	Steel materials	✓
	Stainless steel materials	✓
	Heat resistant super alloys, titanium	✓
	Cast iron materials	✓
	Aluminum and non-ferrous	✓

✓ Suitable for use

Inch

Tool Code	d_1 Cutter Dia	d_2 Shank Dia	l_1 Overall Length	EDP Number	List Price
No.0	1/32	1/8	1-1/2	36325	17.43
No.1	3/64	1/8	1-1/2	36326	15.70
No.1 x 4	3/64	1/8	4	97202	21.74
No.1 x 6	3/64	1/8	6	36336	24.68
No.2	5/64	3/16	2	36327	22.94
No.2 x 4	5/64	3/16	4	97203	42.26
No.2 x 6	5/64	3/16	6	36337	44.26
No.3	7/64	1/4	2	36328	25.46
No.3 x 4	7/64	1/4	4	97204	51.35
No.3 x 6	7/64	1/4	6	36338	53.60
No.4	1/8	5/16	2-1/2	36329	35.60
No.4 x 4	1/8	5/16	4	93680	61.53
No.4 x 6	1/8	5/16	6	36339	66.94
No.5	3/16	7/16	2-3/4	36330	53.97
No.5 x 6	3/16	7/16	6	36342	103.79
No.6	7/32	1/2	3	36331	74.13
No.6 x 6	7/32	1/2	6	36345	134.93
No.7	1/4	5/8	3-1/2	36332	125.58
No.8	5/16	3/4	4	36333	165.06

Metric

Tool Code	d_1 Cutter Dia	d_2 Shank Dia	l_1 Overall Length	EDP Number	List Price
125	1,25	3,15	38	36495	19.01
160	1,6	4	50	36496	28.77
200	2	5	50	36497	30.40
250	2,5	6,3	50	36498	32.08
315	3,15	8	50	36499	41.79
400	4	10	66	36500	83.63
500	5	12,5	75	36501	91.40
630	6,3	16	82	36502	194.88



CD10 Set

Set Code	Set Contents	EDP Number	List Price
CD10	One each of Nos. 1-6 with case	36334	235.52