

COUNTERSINKS

For general purpose countersinking operations

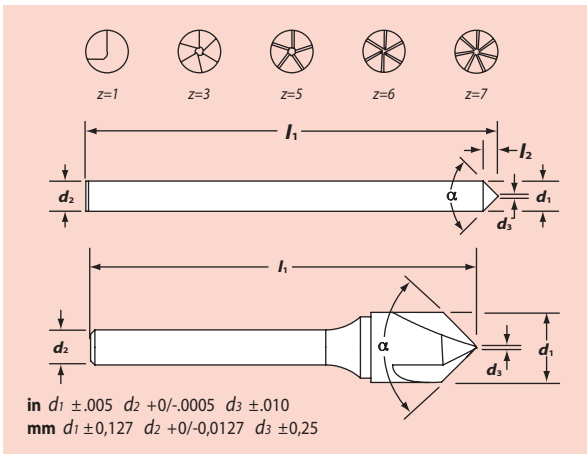
CS10

Single flute countersink



CS20

Multi-flute countersink



- Available with 60°, 82°, 90° included angle
- Chatterless design eliminates part tearing
- CS10 not recommended for hardened steel

	Steel materials	✓
	Hardened materials	✓
	Stainless steel materials	✓
	Heat resistant super alloys, titanium	✓
	Cast iron materials	✓
	Aluminum and non-ferrous	✓

✓ Suitable for use

Inch

d_1 Body Dia	d_2 Shank Dia	d_3 Tip Dia	l_1 60° OAL	l_1 82°/90° OAL	Z Flute Count	$\alpha = 60^\circ$ EDP Number	$\alpha = 82^\circ$ EDP Number	$\alpha = 90^\circ$ EDP Number	List Price
1/8	1/8	To Point	1-1/2	1-1/2	1	36360	36361	36362	10.13
					3	36402	36403	36404	11.45
					6	36444	36445	36446	11.60
3/16	3/16	To Point	2	2	1	36363	36364	36365	11.97
					3	36417	36418	36419	12.97
					6	36489	36490	36491	13.07
1/4	1/4	To Point	2	2	1	36366	36367	36368	15.44
					3	36408	36409	36410	15.75
					6	36450	36451	36452	16.01
3/8	1/4	1/32	2-13/16	2-11/16	1	36372	36373	36374	26.04
					3	36414	36415	36416	24.41
					6	36456	36457	36458	24.73
1/2	1/4	1/32	2-7/8	2-3/4	1	36378	36379	36380	36.80
					3	36420	36421	36422	34.91
					5	36453	36454	36455	33.97
5/8	3/8	1/16	3	2-7/8	6	36462	36463	36464	33.97
					1	36384	36385	36386	48.98
					3	36426	36427	36428	44.57
3/4	1/2	1/16	3	2-7/8	5	36465	36466	36467	45.78
					6	36468	36469	36470	45.78
					1	36390	36391	36392	67.15
1	1/2	1/16	3-1/4	3	3	36432	36433	36434	60.01
					6	36474	36475	36476	70.56
					7	36477	36478	36479	70.56
1	1/2	1/16	3-1/4	3	1	36396	36397	36398	106.00
					3	36438	36439	36440	85.31
					6	36480	36481	36482	95.60
					7	36483	36484	36485	95.60

Metric

d_1 Body Dia	d_2 Shank Dia	d_3 Tip Dia	l_1 60° OAL	l_1 82°/90° OAL	Z Flute Count	$\alpha = 60^\circ$ EDP Number	$\alpha = 82^\circ$ EDP Number	$\alpha = 90^\circ$ EDP Number	List Price
3	3	To Point	38	38	1	36312		36383	10.13
					3	36405		36437	11.45
5	5	To Point	50	50	1	36313		36387	11.97
					3	36406		36441	12.97
6	6	To Point	50	50	1	36314		36388	15.44
					3	36407		36442	15.75
9,5	6	1	64	51	1	36315		36389	26.04
					3	36411		36443	24.41
12,7	6	1	66	63	1	36316		36393	36.80
					5	36487		36512	33.97
16	10	1,5	75	72	1	36317		36394	48.98
					5	36493		36513	45.78
19	12	1,5	75	72	1	36318		36395	67.15
					7	36503		36514	70.56
25	12	1,5	81	75	1	36319		36399	106.00
					7	36504		36515	95.60