

# E16 • E34 END MILLS

For specialty milling applications

## 6 Helical Flutes

For finishing operations

### E16

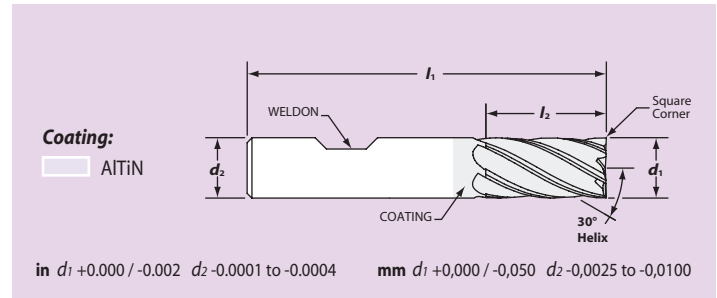


E16 • Square

- Excellent for harder materials
- Commonly used for finishing operations
- Superior **AlTiN** coating

	Carbon & tool steels ≤ 48 HRC	✓
	Carbon & tool steels > 48 HRC	✓
	Super alloys, Inconel® & titanium	✓
	Cast irons	✓

✓ Good   ✓✓ Very Good   ✓✓✓ Excellent



#### Inch

$d_1$ Cutter Dia	$d_2$ Shank Dia	$l_2$ Length of Cut	$l_1$ Overall Length	Shank Style	Style Code	AITiN EDP Number	List Price
1/4	1/4	3/4	2-1/2	Plain	RR	37602	22.72
3/8	3/8	1	2-1/2	Plain	RR	37604	38.79
1/2	1/2	1	3	Plain	RR	37605	57.77
3/4	3/4	1-1/2	4	Plain	RR	37519	155.58
1	1	1-1/2	4	Plain	RR	37523	241.96
1-1/4	1-1/4	2	4-1/2	Weldon	RR	34088	568.79
1-3/8	1-1/4	2	4-1/2	Weldon	RR	34089	674.47
1-1/2	1-1/4	2	4-1/2	Weldon	RR	34090	781.83

#### Metric

$d_1$ Cutter Dia	$d_2$ Shank Dia	$l_2$ Length of Cut	$l_1$ Overall Length	Shank Style	Style Code	AITiN EDP Number	List Price
6	6	19	63	Plain	RR	62433	26.34
10	10	25	72	Plain	RR	62435	49.40
12	12	25	76	Plain	RR	62436	65.50
16	16	32	89	Plain	RR	62438	113.62
20	20	38	100	Plain	RR	62440	210.76

Style Code Reference  
 RR—Regular LOC, Regular OAL

## 4 LHS/RHC Flutes

For profiling with downward pressure on machined part

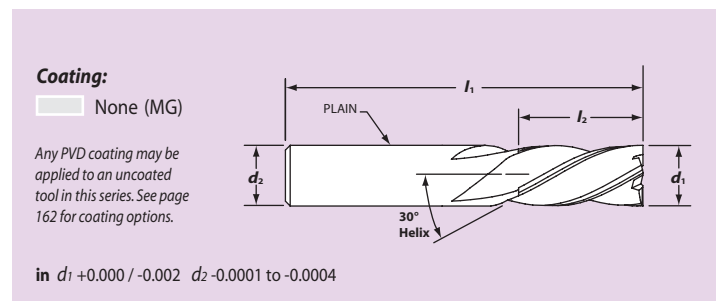
### E34



E34 • Square

	Carbon & tool steels ≤ 48 HRC	✓
	Cast irons	✓

✓ Good   ✓✓ Very Good   ✓✓✓ Excellent



#### Inch

$d_1$ Cutter Dia	$d_2$ Shank Dia	$l_2$ Length of Cut	$l_1$ Overall Length	Shank Style	Style Code	MG EDP Number	List Price
1/8	1/8	1/2	1-1/2	Plain	RR	30208	15.44
1/4	1/4	3/4	2-1/2	Plain	RR	30220	26.89
3/8	3/8	7/8	2-1/2	Plain	RR	30232	38.22
1/2	1/2	1	3	Plain	RR	30244	65.36
5/8	5/8	1-1/4	3-1/2	Plain	RR	30250	124.07
3/4	3/4	1-1/2	4	Plain	RR	30256	183.18

Style Code Reference  
 RR—Regular LOC, Regular OAL