

HARD METAL DT40 • D10 DRILLS

For hardened, treated, abrasive materials and stainless steel

2 Straight Flutes

For drilling of hard materials



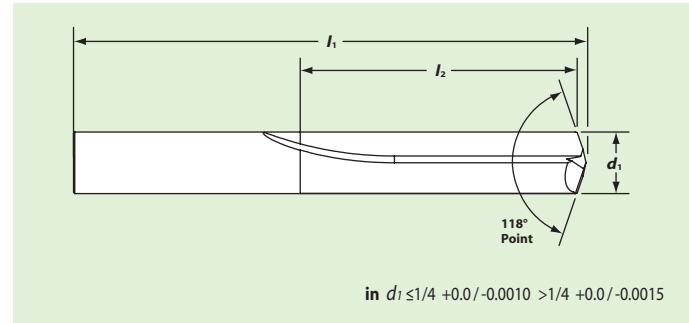
- Thick web for added strength
- Cam relieved thinned point with high strength edge

DT40

Carbide tipped

	Carbon & tool steels ≤ 48 HRC	✓
	Carbon & tool steels > 48 HRC	✓✓
	Super alloys, Inconel® & titanium	✓
	Cast irons	✓

✓ Good ✓✓ Very Good



Inch

d_1 Cutter Dia	Dec Equiv	l_2 Flute Length	l_1 Overall Length	EDP Number	List Price
3/16	.1875	1-1/2	3-1/2	41003	25.52
13/64	.2031	1-3/4	3-3/4	41004	25.52
7/32	.2188	1-3/4	3-3/4	41005	26.30
15/64	.2344	2	4	41006	27.20
1/4	.2500	2	4	41007	27.20
17/64	.2656	2-1/4	4-1/4	41008	28.72
9/32	.2812	2-1/4	4-1/4	41009	28.72
19/64	.2969	2-1/2	4-1/2	41010	30.03
5/16	.3125	2-1/2	4-1/2	41011	30.03
21/64	.3281	2-3/4	4-3/4	41012	32.03
11/32	.3438	2-3/4	4-3/4	41013	32.03
23/64	.3594	3	5	41014	34.44
3/8	.3750	3	5	41015	34.44
25/64	.3906	3	5-1/4	41016	38.85
13/32	.4062	3	5-1/4	41017	40.27
27/64	.4219	3	5-1/2	41018	43.47
7/16	.4375	3	5-1/2	41019	46.78

d_1 Cutter Dia	Dec Equiv	l_2 Flute Length	l_1 Overall Length	EDP Number	List Price
29/64	.4531	3-1/4	5-3/4	41020	49.04
15/32	.4688	3-1/4	5-3/4	41021	51.35
31/64	.4844	3-1/2	6	41022	55.86
1/2	.5000	3-1/2	6	41023	60.27
17/32	.5312	3-1/2	6	41025	69.09
9/16	.5625	3-1/2	6	41027	71.45
19/32	.5937	4	7	41029	75.60
5/8	.6250	4	7	41031	77.96
21/32	.6562	4-1/2	7-1/2	41033	82.06
11/16	.6875	4-1/2	7-1/2	41035	84.37
23/32	.7187	4-3/4	8	41037	88.62
3/4	.7500	4-3/4	8	41039	90.93
13/16	.8125	4-3/4	8	41041	162.96
7/8	.8750	4-3/4	8	41043	166.37
15/16	.9375	4-3/4	8	41045	185.33
1	1.0000	4-3/4	8	41047	196.56

2-Flute Spade Drill



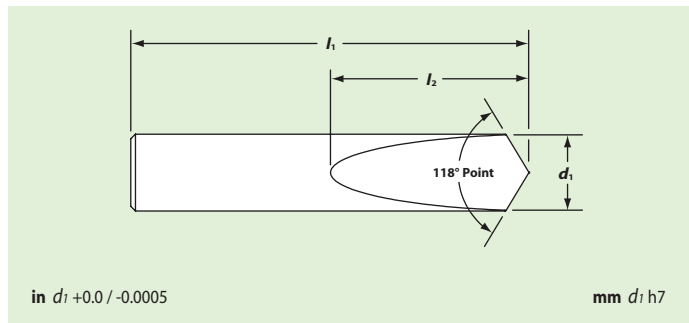
D10

Solid carbide

	Carbon & tool steels ≤ 48 HRC	✓
	Carbon & tool steels > 48 HRC	✓
	Cast irons	✓
	Aluminum and non-ferrous	✓

✓ Good ✓✓ Very Good

- For shallow hole drilling
- Hole depth limited to 2x diameter
- Strongest drill style for excellent tool life
- Can be used as a spotting drill



Inch

d_1 Cutter Dia	Dec Equiv	l_2 Flute Length	l_1 Overall Length	EDP Number	List Price
1/16	.0625	5/16	1-1/2	41554	9.71
3/32	.0938	3/8	1-1/2	41556	9.71
1/8	.1250	7/16	1-1/2	41558	9.71
5/32	.1562	15/32	2	41560	12.55
3/16	.1875	9/16	2	41562	12.81
7/32	.2188	19/32	2	41564	14.91
1/4	.2500	11/16	2	41566	17.48
5/16	.3125	7/8	2-1/2	41570	24.26
3/8	.3750	1	2-1/2	41574	29.56
1/2	.5000	1-1/8	2-1/2	41582	41.63